

## 2050, 2100nm Polarization Maintaining Isolator (PMIS)

### Features

- Wide Operating Wavelength
- High Isolation & High PER
- Telcordia GR-1221 Compliant
- Available for Both Axes Pass or Fast Axis Block

### Application

- PM Fiber Amplifier
- Fiber Laser
- Surgical Equipment



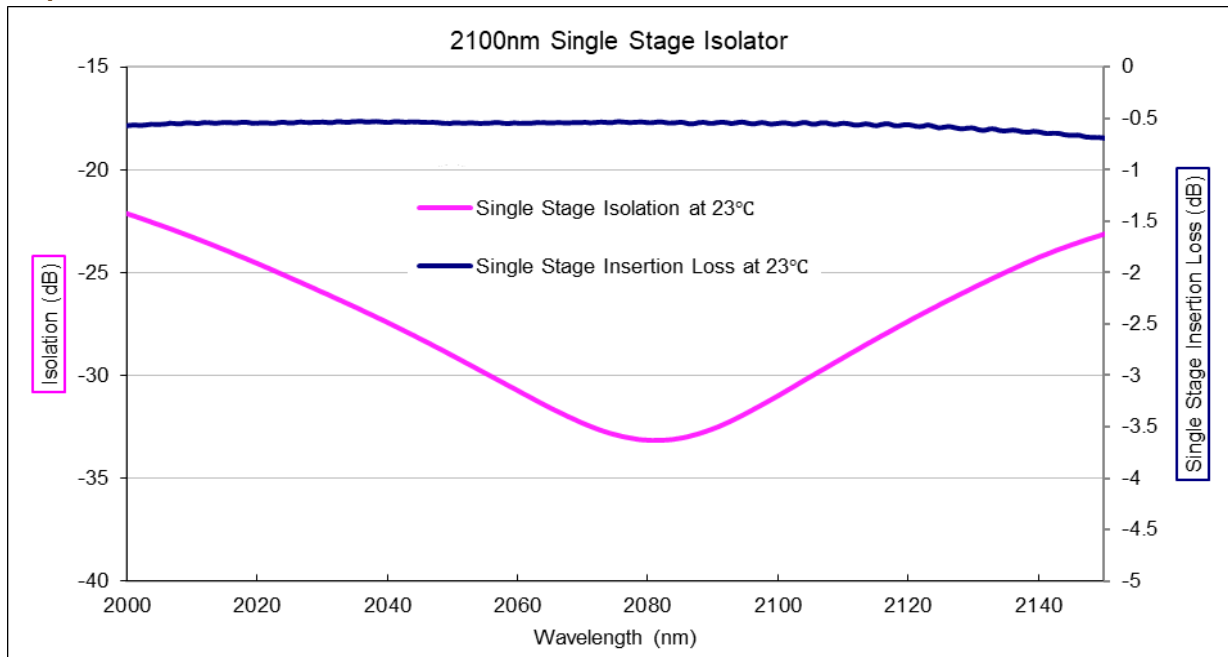
### Specifications

Parameters	Unit	Single Stage	Dual Stage
Center Wavelength	nm	2050, 2100	
Peak isolation	dB	30	45
Min Isolation ( $\lambda_c \pm 15\text{nm}, 23^\circ\text{C}$ all sop)	dB	20	35
Typ. IL ( $\lambda_c \pm 20\text{nm}, 23^\circ\text{C}$ all sop)	dB	0.90	1.10
Insertion Loss ( $\lambda_c \pm 20\text{nm}, -5 \sim +70^\circ\text{C}$ all sop)	dB	$\leq 1.5$	$\leq 1.80$
PER	Both Axes Pass	dB $\geq 20$	
	Fast Axis Blocked	dB $\geq 23$	
Return Loss (Input / Output) (RL)	dB	$\geq 50/50$	$\geq 50/50$
Fiber Type		PM1550, PM1950, PM2000,	
Max Power Handling CW	mW	500	
Operating Temperature	$^\circ\text{C}$	$-0 \sim +75$	
Storage Temperature	$^\circ\text{C}$	$-40 \sim +85$	

Above data test at room temperature without connectors. With connectors, IL+0.3dB, RL-5dB, PER-2dB.

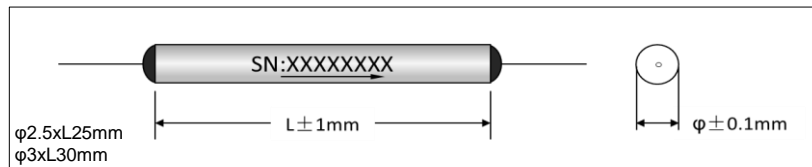
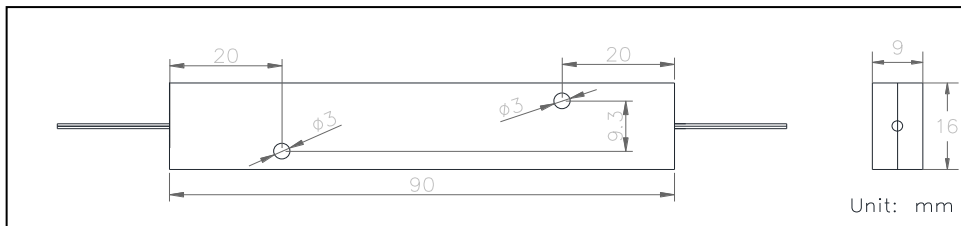
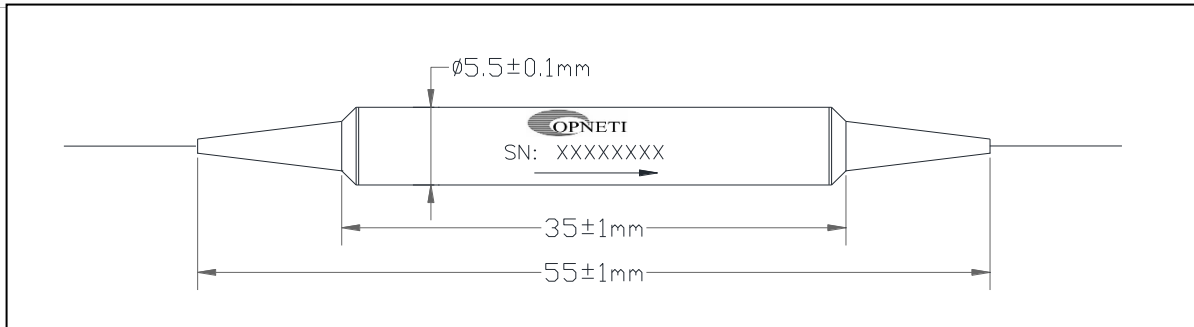
Default FC connector key width 2.02mm (narrow key), 2.12mm (wide key) available on request.

### Typical Spectrum



### Package Information

Fiber Length	1m, others on request		
Pigtail Type	250 $\mu\text{m}$ Bare Fiber	900 $\mu\text{m}$ Loose Tube	2mm/3mm Loose Cable
Dimensions(mm)	$\phi 2.5 \times 25, \phi 3 \times 25, \phi 3 \times 30, \phi 5.5 \times 35,$	$\phi 5.5 \times 35, 90 \times 16 \times 9$	$\phi 5.5 \times 35$ (no boot), $90 \times 16 \times 9$
Approx Weight (g)	35	50	65



**Ordering Information**

**PMIS- ①-②②②②②②②②②②②②②③-④④④④-⑤⑤⑤⑤-⑥-⑦⑦**

①	Type	S=Single Stage; D=Dual Stage;
②	Wavelength	2050, 2100;
③	Axis Alignment	F=Fast Axis Blocked; B=Both Axes Working;
④	Pigtail Type	250=250µm Fiber; 900=900µm Loose Tube; 2000=2mm Loose Cable; 3000=3mm Loose Cable;
⑤	Fiber Type	P15=PM1550; P19=PM1950; P20=PM2000;
⑥	Fiber Length	1=1m; XX=other;
⑦	Connector	NE=None; FA=FC/APC; FC=FC/UPC; SA=SC/APC; SC=SC/UPC; LC=LC/UPC; XX=Others;